

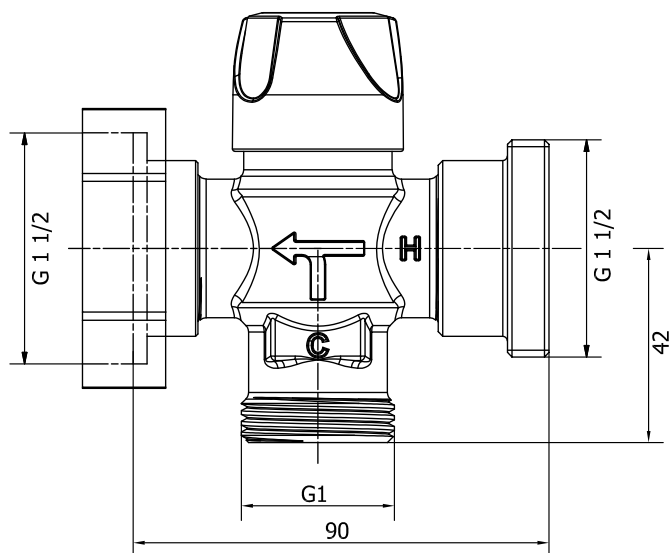
Thermostatic mixing valve MIX THERM-R



Thermostatic mixing valves **MIX THERM** series are designed to regulate the power factor of the installation of central heating radiators and floor. **MIX THERM-R** valve is equipped with a brass female nut 1 1/2" and 1" EPDM gasket.

Technical data:

Max. temp. of hot water: +90°C
 Adjustable temperature range: 20°C - 45°C (+/- 2K) or 35°C - 60°C (+/- 2K)
 Max static pressure: 10 bar
 Max differential pressure: 5 bar
 Max pressure ratio: 2:1
 Min. operating pressure: 0,2 bar
 Kvs: 3,4
 Max flow: 70 l/min
 Connection **MIX THERM-R**: boiler side - 1 1/2" M
 installation side - 1 1/2" F
 return- 1" M
 Medium: water, glicol 30% max



Temperature range							
T°	MIN	1	2	3	4	5	MAX
20-45°C	(24°C)	24°C	29°C	34°C	39°C	44°C	45°C
35-60°C	38°C	41°C	45°C	50°C	54°C	58°C	60°C

Valve characteristics:

